

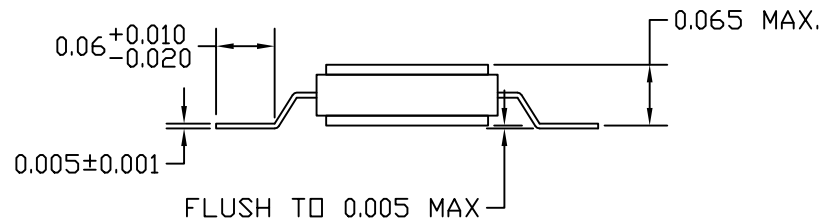
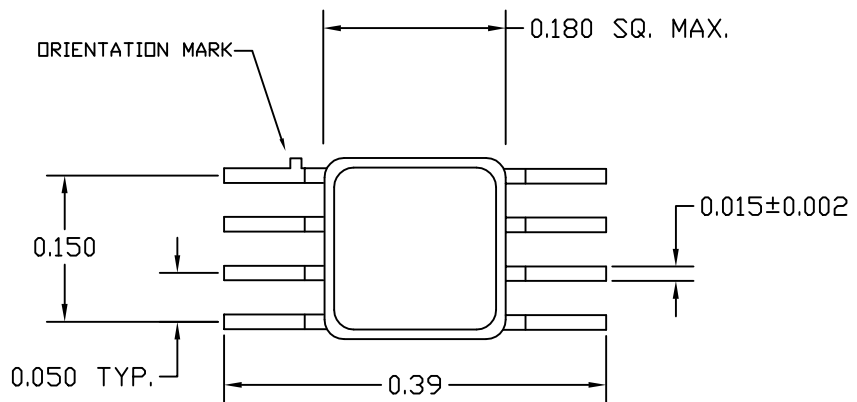
3

2

1

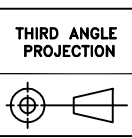
This document is the property of KCB Solutions, Inc. and contains company confidential and/or proprietary information. It is issued in strict confidence and the recipient shall not reproduce, copy, cause to be reproduced or copied, disclose to others, or use as the basis for manufacture, sale or purchase of apparatus the contents or portions thereof of this document without written permission of KCB Solutions.

REVISIONS				
ZONE	LTR	DESCRIPTION	DATE	APPROVED
	-	INITIAL RELEASE	04/20/07	DGS
	A	CHGD HT. & TOLERANCES PER CDC0-1006	04/08/08	DGS



NOTES:

1. PACKAGE MATERIAL: GLASS 7052 w/25% AL
2. PACKAGE BASE/LEAD/LID: ASTM F-15 ALLOY
3. PLATING FINISH: 50-100 MICROINCHES GOLD OVER 100-225 MICROINCHES NICKEL



<p>UNLESS OTHERWISE SPECIFIED</p> <p>DIMENSIONS ARE IN INCHES TOLERANCES ON FINISH RMS 63 ANGLES: 1/8" FRACTIONS: 1/64 4 PLACE DECIMALS: ±.0005 3 PLACE DECIMALS: ±.002 2 PLACE DECIMALS: ±.010</p> <p>COMMERCIAL PUBLISHED TOLERANCES SHALL APPLY TO TUBING, BAR, PLATE ETC. ALL THREADS TO BE CLASS 2A OR 2B PLATED PARTS MUST FIT GAUGES AND MEET SPECIFIED TOLERANCES AFTER PLATING.</p> <p>CAUTION UNLESS THIS DRAWING BEARS AUTHORIZED SIGNED APPROVAL(S) IT IS PRELIMINARY AND IS NOT TO BE USED FOR MANUFACTURING PURPOSES.</p>	<p>DRAWN BY D. SCOFIELD</p> <p>CHECKED BY R. NILSSON</p> <p>ENG. NAME DATE</p> <p>PRD. NAME DATE</p> <p>Q.A. NAME DATE</p>	<p>04/20/07</p> <p>04/20/07</p>	<p>KCB SOLUTIONS, INC.</p> <p>900 Mount Laurel Circle, Shirley, Ma. 01464</p>	
	<p>OUTLINE, 8-LEAD GULL WING</p>			
	<p>THIRD ANGLE PROJECTION</p>	<p>SIZE B</p> <p>CAGE CODE 3W3Q7</p>	<p>80014</p>	<p>SHEET 1 OF 1</p>
	<p>NEXT ASSEMBLY</p> <p>USED ON</p> <p>APPLICATION</p>	<p>DO NOT SCALE DRAWING</p>	<p>SCALE 1 : 1</p>	

3

2

1