

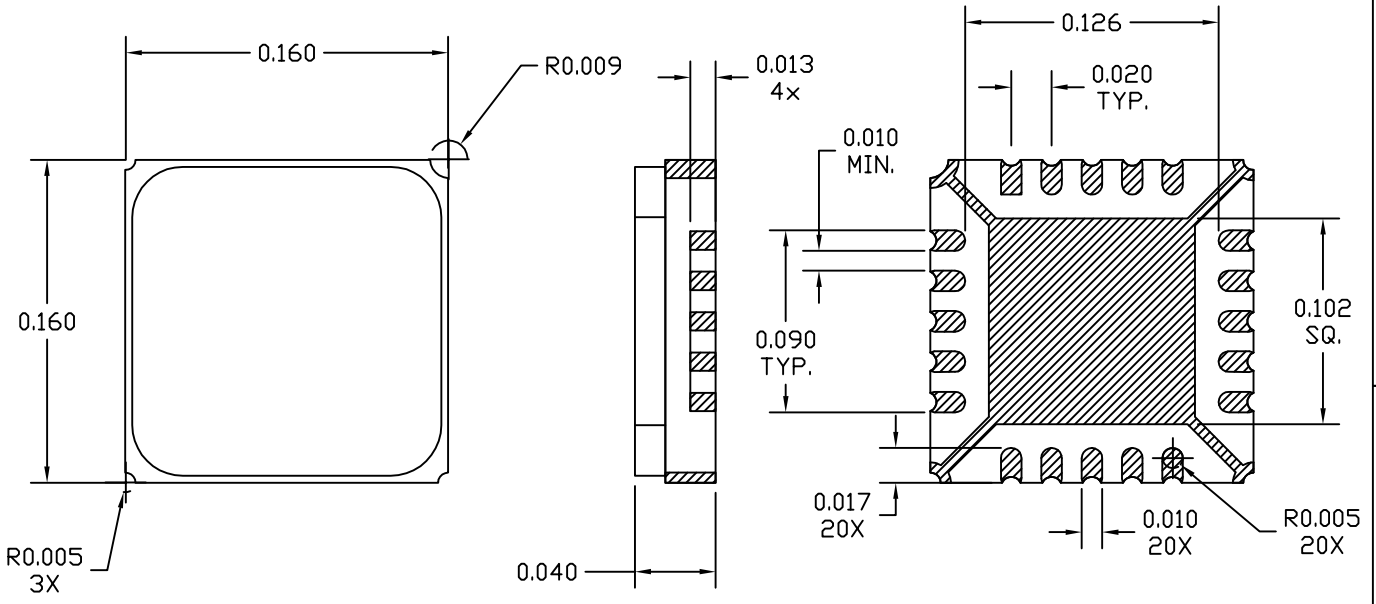
3

2

1

This document is the property of KCB Solutions, Inc. and contains company confidential and/or proprietary information. It is issued in strict confidence and the recipient shall not reproduce, copy, cause to be reproduced or copied, disclose to others, or use as the basis for manufacture, sale or purchase of apparatus the contents or portions thereof of this document without written permission of KCB Solutions.

REVISIONS				
ZONE	LTR	DESCRIPTION	DATE	APPROVED
	01	ENGINEERING RELEASE	02/20/13	KS



NOTES:

- MATERIAL:
 CERAMIC: ALUMINA 92%
 METALIZATION: TUNGSTEN, PLATED
 Au, 30-60 μIN MIN OVER Ni, 50 μin MIN
 LID: ALUMINA

UNLESS OTHERWISE SPECIFIED		DRAWN BY KING_SDYANHANG	02/20/13	KCB SOLUTIONS, INC.	
DIMENSIONS ARE IN INCHES TOLERANCES ON FINISH: R63 ANGLES: 31/8" FRACTIONS: 31/64 4 PLACE DECIMALS: ±0.0005 3 PLACE DECIMALS: ±0.005 2 PLACE DECIMALS: ±0.010		CHECKED BY NAME	DATE	900 Mount Laurel Circle, Shirley, Ma. 01464	
COMMERCIAL PUBLISHED TOLERANCES SHALL APPLY TO TUBING, BAR, PLATE, ETC. ALL THREADS TO BE CLASS 2B UNLESS PLATED PARTS MUST FIT GAUGES AND MEET SPECIFIED TOLERANCES AFTER PLATING.		ENG. NAME	DATE	OUTLINE, 4MM SQ 20 LEAD	
CAUTION UNLESS THIS DRAWING BEARS AUTHORIZED SIGNED APPROVALS, IT IS PRELIMINARY AND IS NOT TO BE USED FOR MANUFACTURING PURPOSES.		PROD. NAME	DATE		
THIRD ANGLE PROJECTION		Q.A. NAME	DATE		
NEXT ASSEMBLY	USED ON	THIRD ANGLE PROJECTION	SIZE B	CAGE CODE 3W3Q7	80064
APPLICATION		DO NOT SCALE DRAWING		SCALE 1 : 1	SHEET 1 OF 2

3

2

1